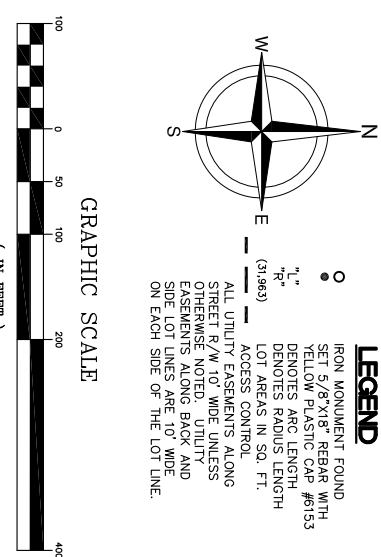
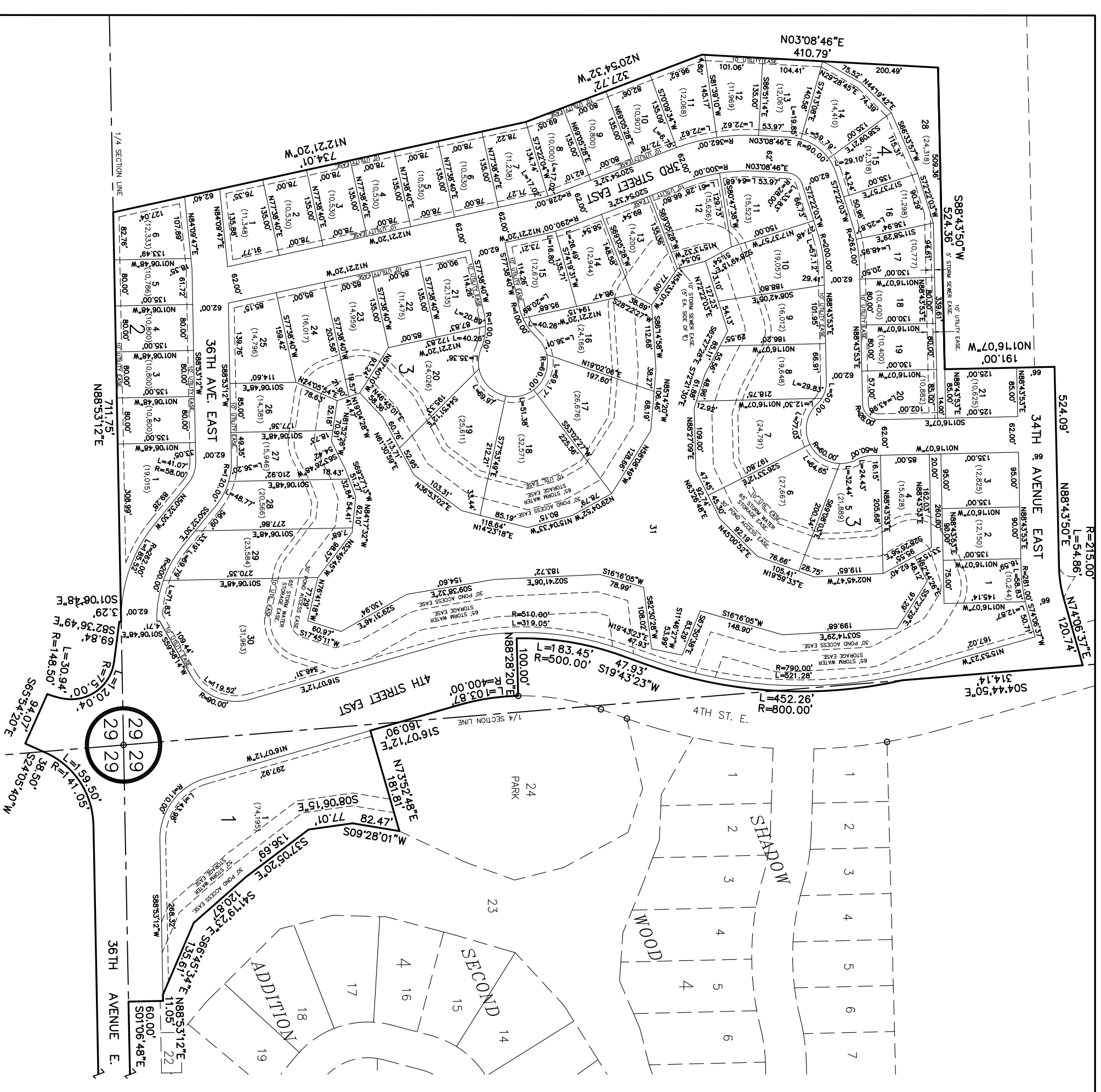
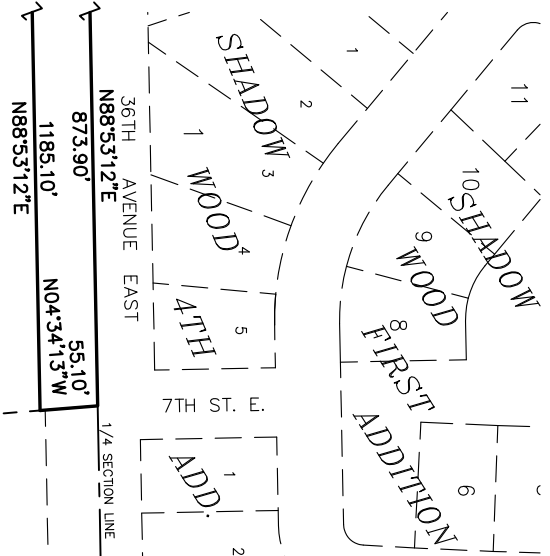


PLAT OF
SHADOW WOOD FIFTH ADDITION
 TO THE CITY OF WEST FARGO, A PLAT OF PART OF THE
 SECTION 29, TOWNSHIP 139 NORTH, RANGE 49 WEST,
 CASS COUNTY, NORTH DAKOTA.



REVISED PLAT: 3/1/11



SHEET 1 OF 2

DOCUMENT NO. _____
 STATE OF NORTH DAKOTA
 COUNTY OF CASS

I HEREBY CERTIFY THAT THE ABOVE INSTRUMENT WAS FILED IN THIS OFFICE FOR RECORD ON THIS _____ DAY OF _____ A.D. 2011 AT _____ O'CLOCK _____ M AND WAS RECORDED IN BOOK _____ OF PAGE _____

REGISTER OF DEEDS
 BY _____ DEPUTY

PROJ. NO. 15707
 moore engineering, Inc.